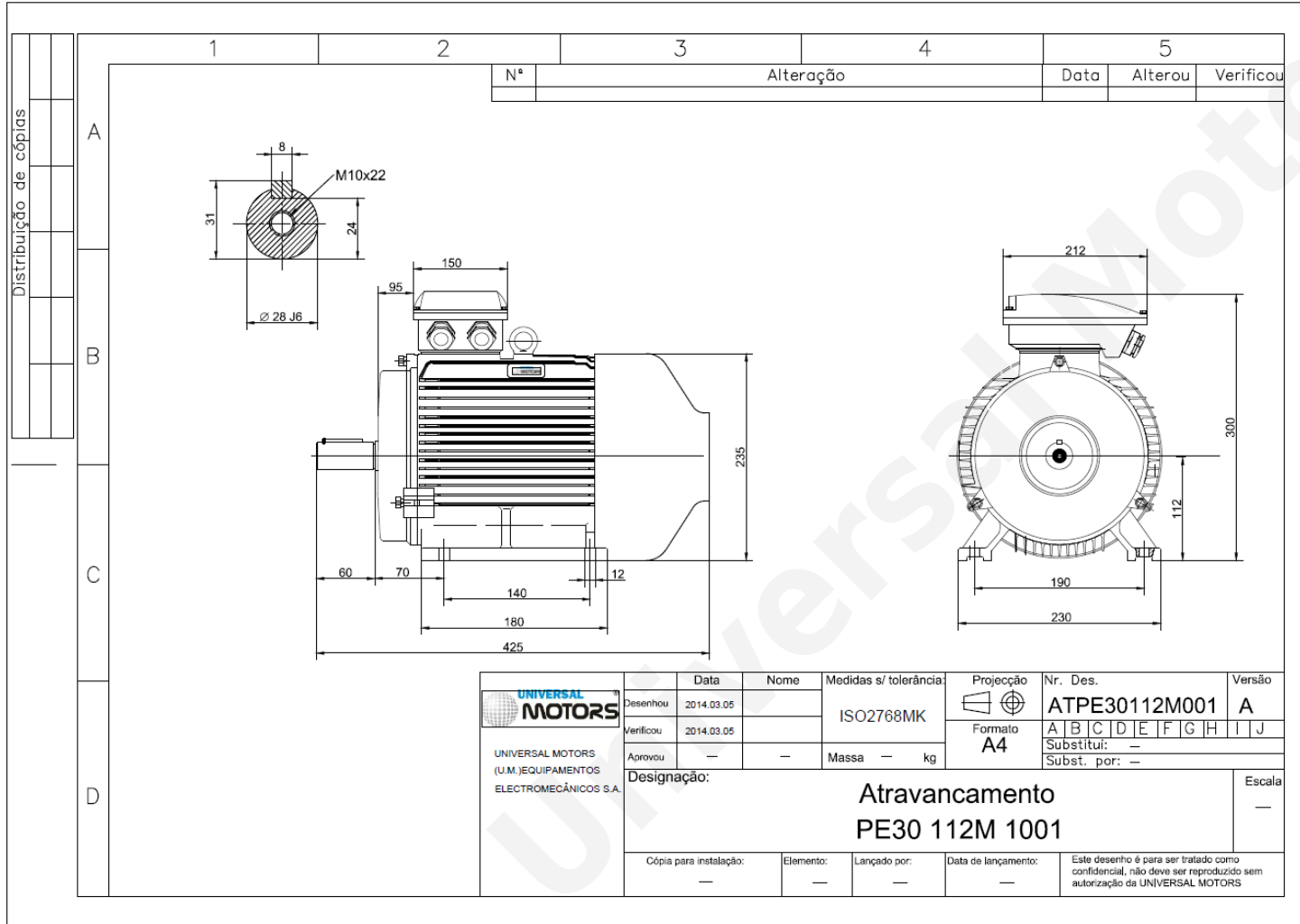




# TECHNICAL DATA

Three Phase Electric Motors - Cast Iron Frame  
 PE30 112 M 2 IE3  
 4 kW / 5.5 Cv  
 2910 RPM



Motor type: **PE30 112 M 2 IE3**  
 Output: **4 kW / 5.5 Cv**  
 Speed (min<sup>-1</sup>): **2910 RPM**  
 Frequency: **50 Hz**  
 Voltage: **400 V**  
 Current: **7.5 A**  
 Power factor (Cos Ø): **0.88**  
 Poles: **2**  
 Insulation class: **F**  
 Temperature rise Class: **B**  
 Efficiency 50%: **87.4 %**  
 Efficiency 75%: **88.6 %**  
 Efficiency 100%: **88.2 %**  
 Torque: **13 N.m**  
 Tstarting/Tnominal: **2.2**  
 Istarting/Inominal: **8.3**  
 Tmaximum/Tnominal: **2.3**  
 Noise: **77 Db(A)**  
 Weight: **50 Kg**  
 Bearing DE: **6306 2Z C3**  
 Bearing NDE: **6206 2Z C3**

Regime - S1

Altitude - 1000m

Environment Temperature - 40°C

## CONTACTS:

UNIVERSAL MOTORS Tel: +351 252 299 080  
 Rua de São Brás,745 Fax: +351 252 299 089  
 4480-782 VILA DO CONDE Mail: [geral@universalmotors.pt](mailto:geral@universalmotors.pt)

\* References applied only in the UK